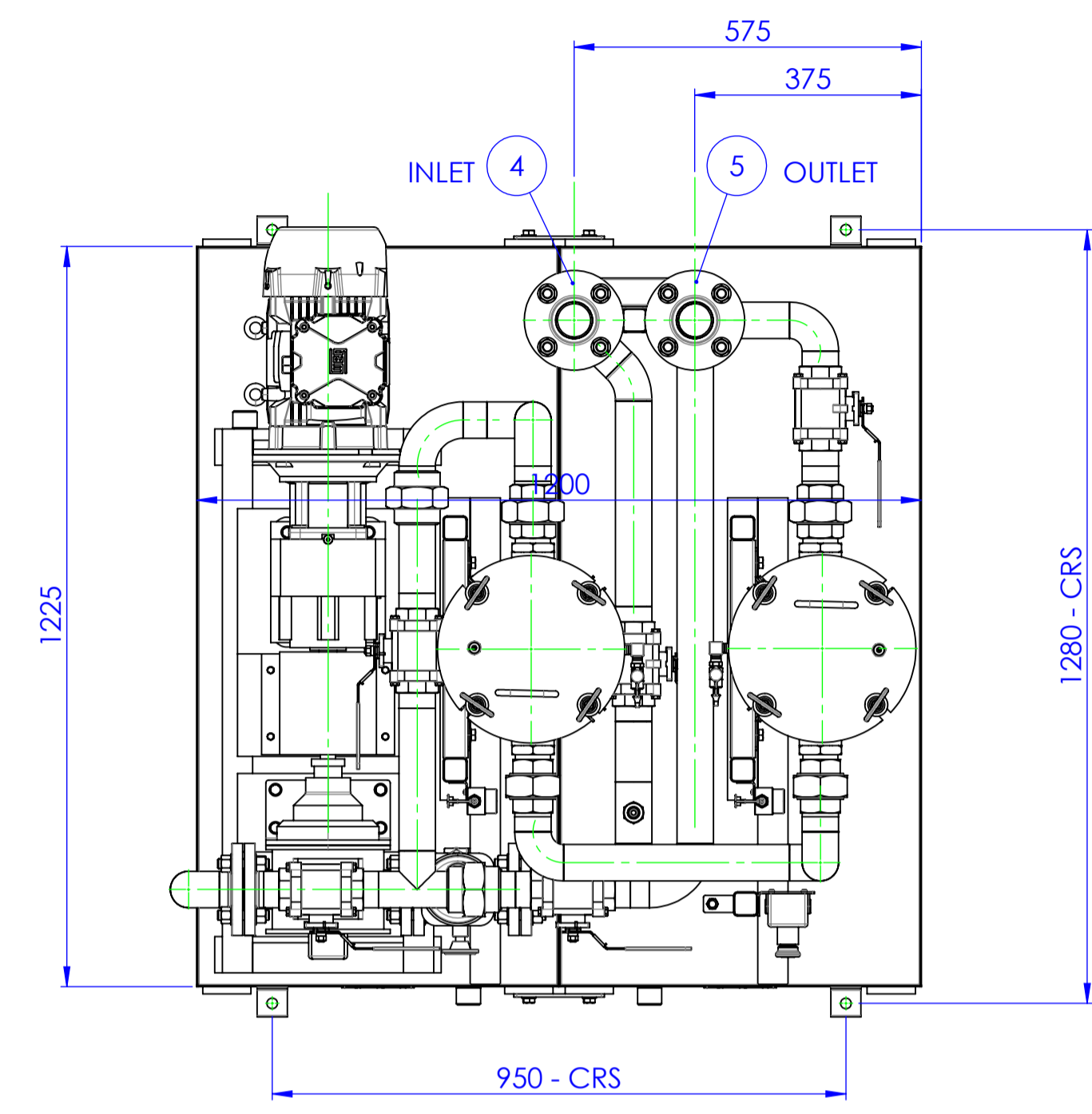


ITEM	DESCRIPTION
1	BLACKMER SNP2 ATEX RATED VANE PUMP
2	2 x SIZE 2 FILTER CELL HOUSINGS
3	MOTORISED BALL VALVE
4	INLET - 2" FLANGE
5	OUTLET - 2" FLANGE
6	CONTROL PANEL
7	DN50 STAINLESS STEEL PIPEWORK
8	304 STAINLESS STEEL SKID/Framework

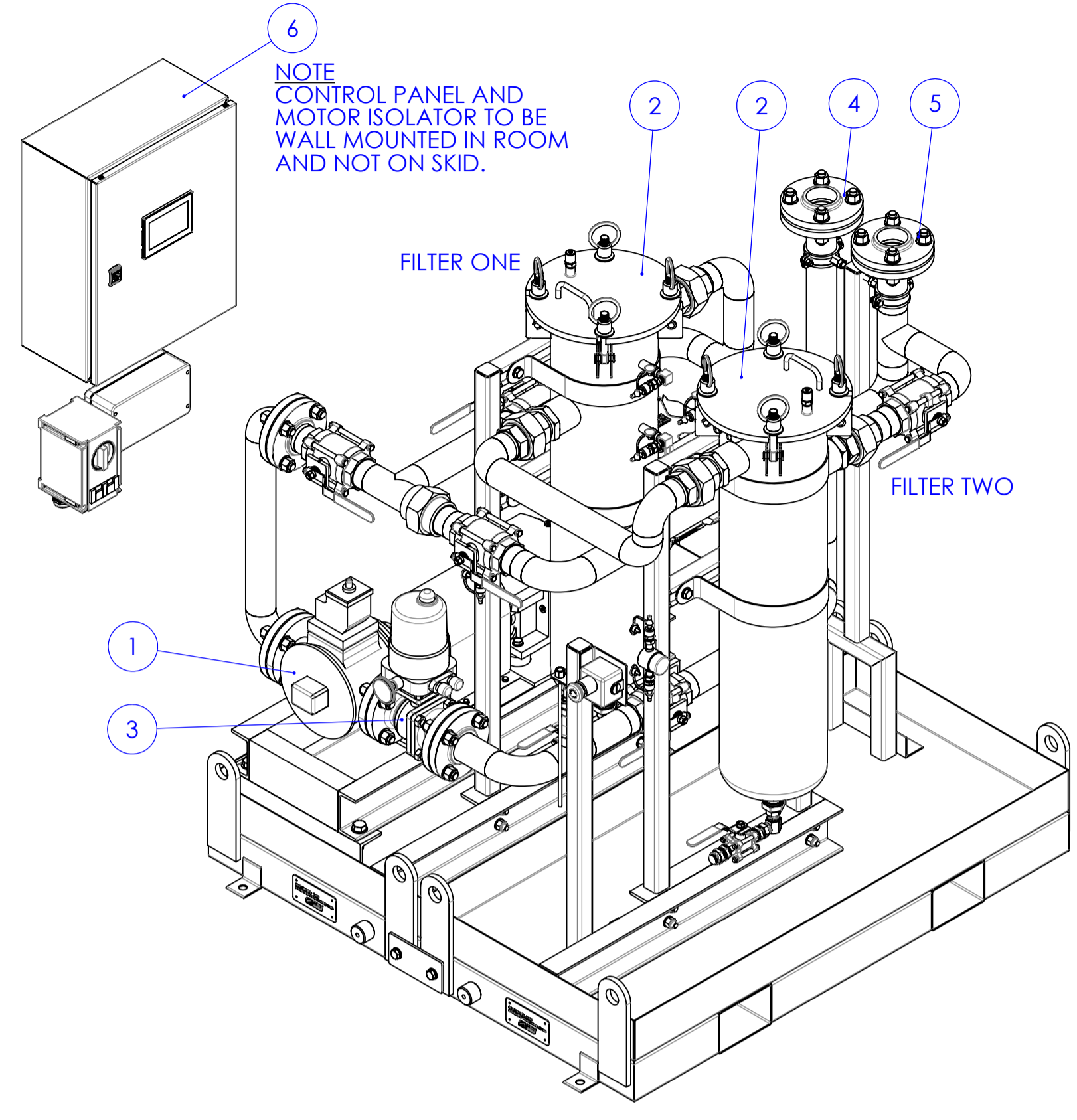
EXTRA EQUIPMENT	
NEODYM	STANDARD
FAULT ALARMS	STANDARD
BUND SWITCH	2 OFF

NOTE: COMPONENTS FITTED WILL BE ATEX RATED BUT THE ASSEMBLED UNIT WILL NOT BE ATEX CERTIFIED.

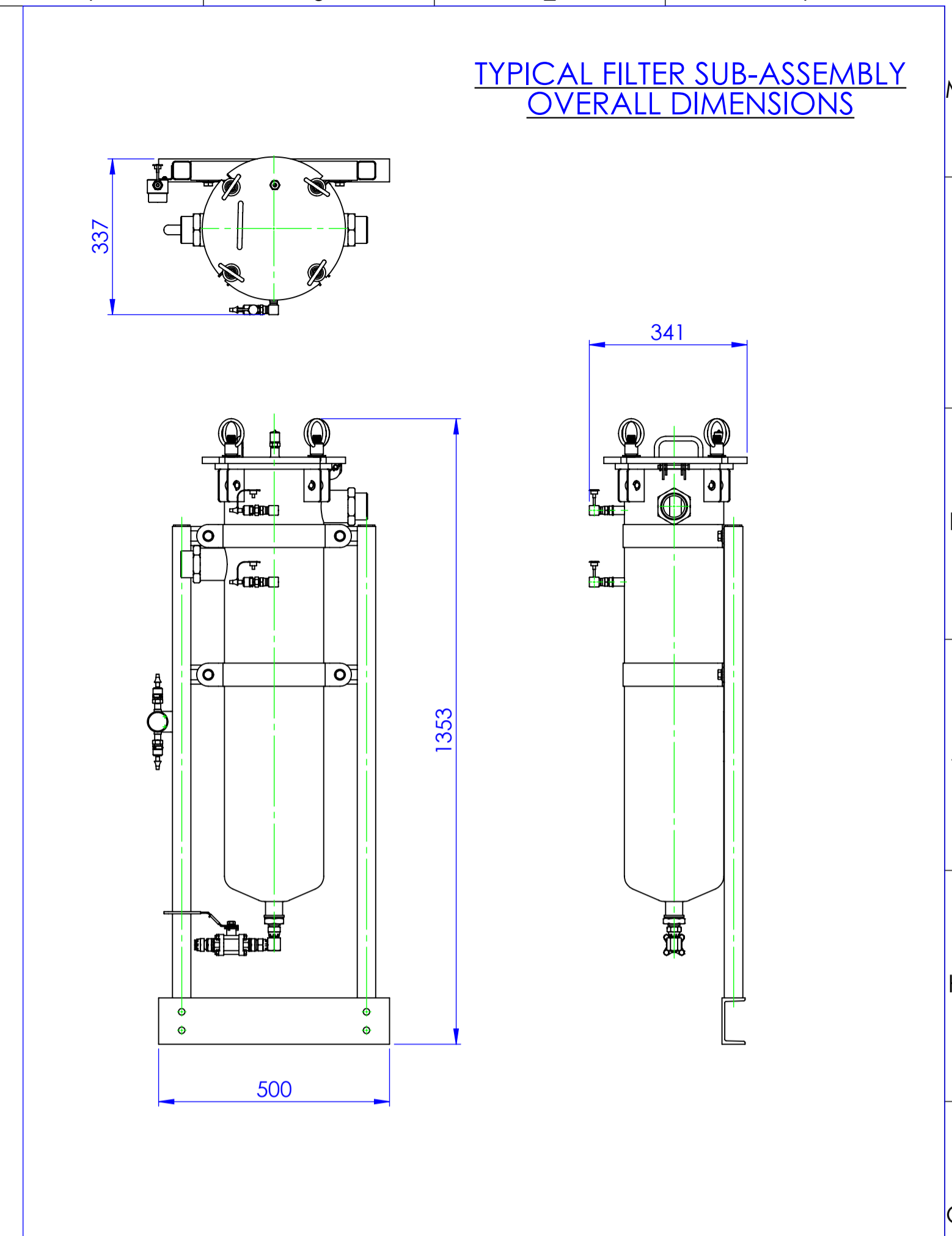
ALARM FUNCTIONS	
EMERGENCY STOP	
FUEL IN BUND	
NO FLOW DETECTED	
OVERLOAD TRIPPED	
FILTER BLOCKED	
MODBUS / HMI	
TCP / IP	
LOW / HIGH PRESSURE	
BMS SIGNAL	
SYSTEM RUNNING	
COMMON FAULT	



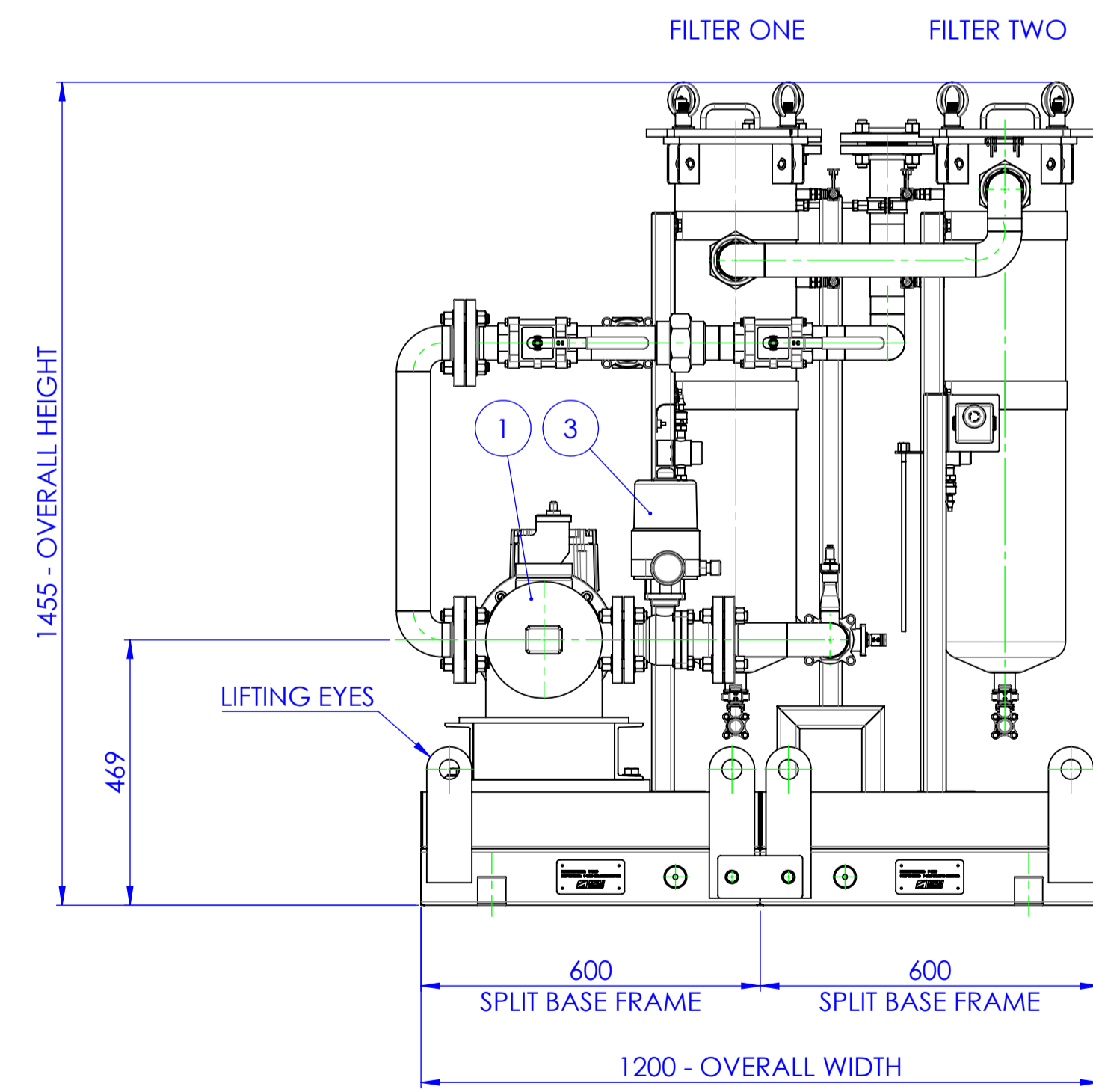
PLAN VIEW
(CONTROL PANEL NOT SHOWN)



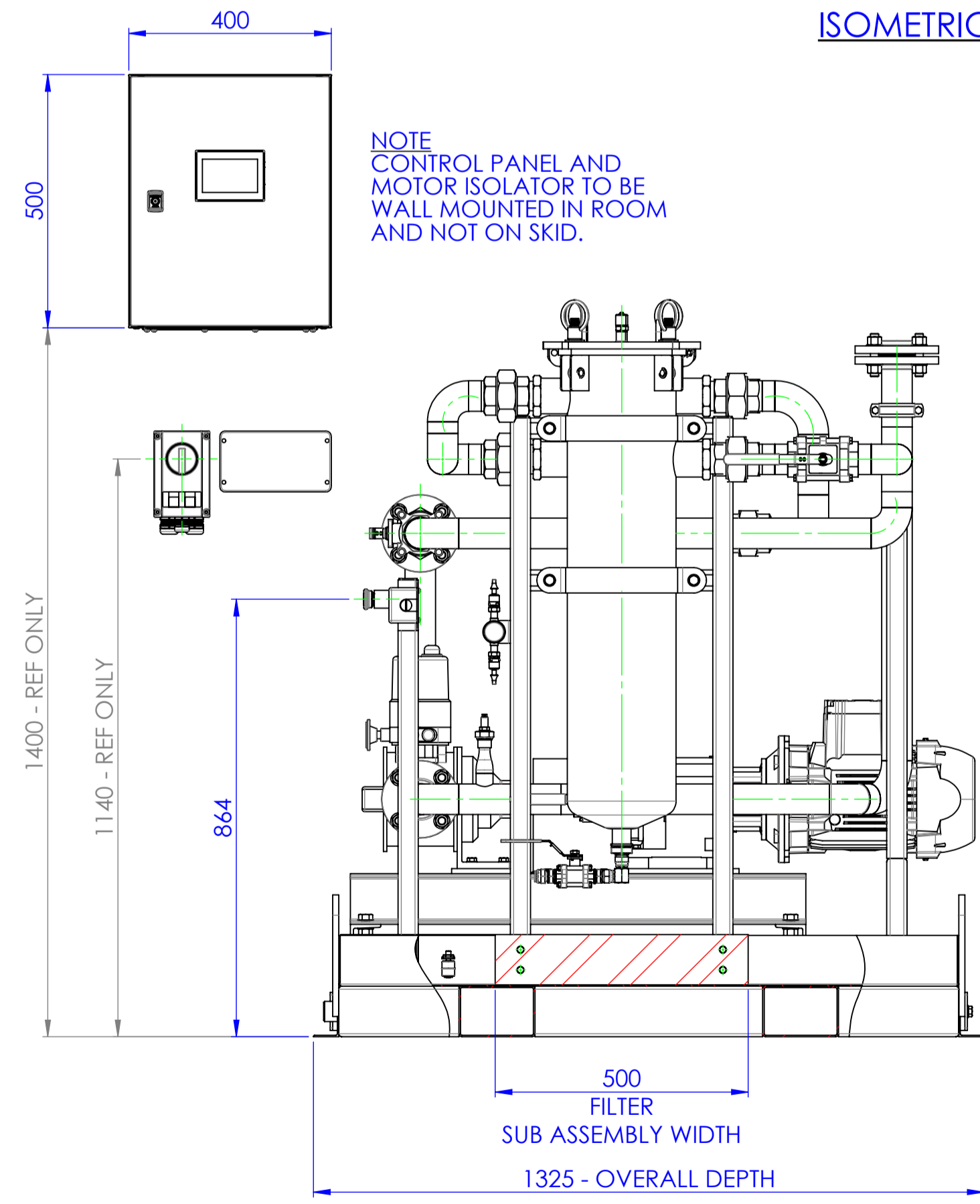
ISOMETRIC VIEW



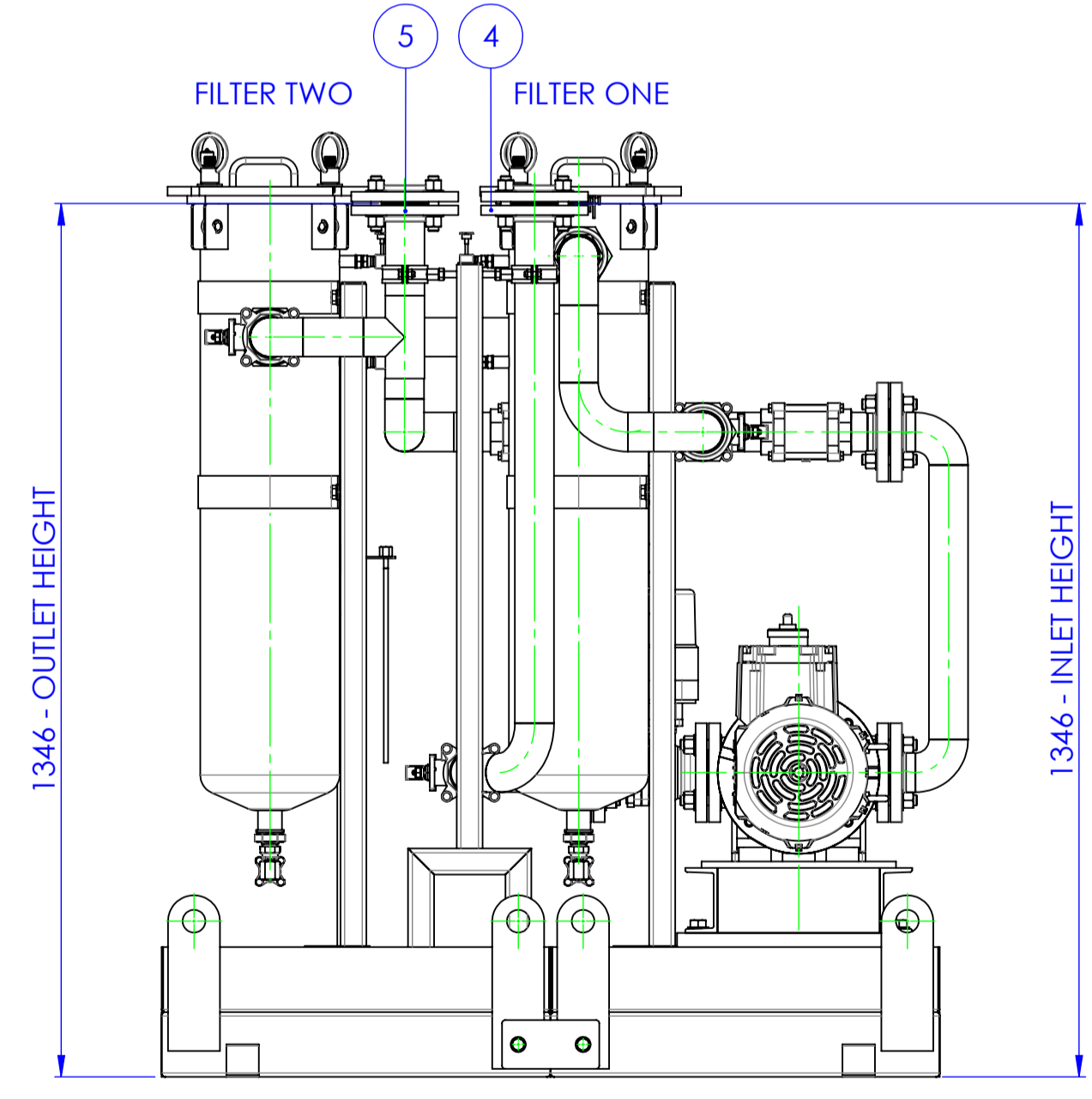
TYPICAL FILTER SUB-ASSEMBLY
OVERALL DIMENSIONS



VIEW ON FRONT
(CONTROL PANEL NOT SHOWN)

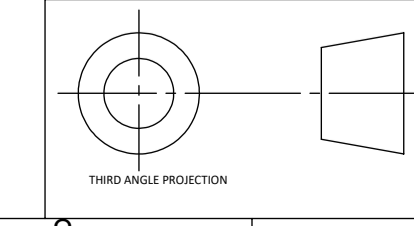


END VIEW RIGHT



VIEW ON REAR
(CONTROL PANEL NOT SHOWN)

REVISIONS			
REV.	DESCRIPTION	DATE	APPROVED
0	AS BUILT	02/12/2022	MD



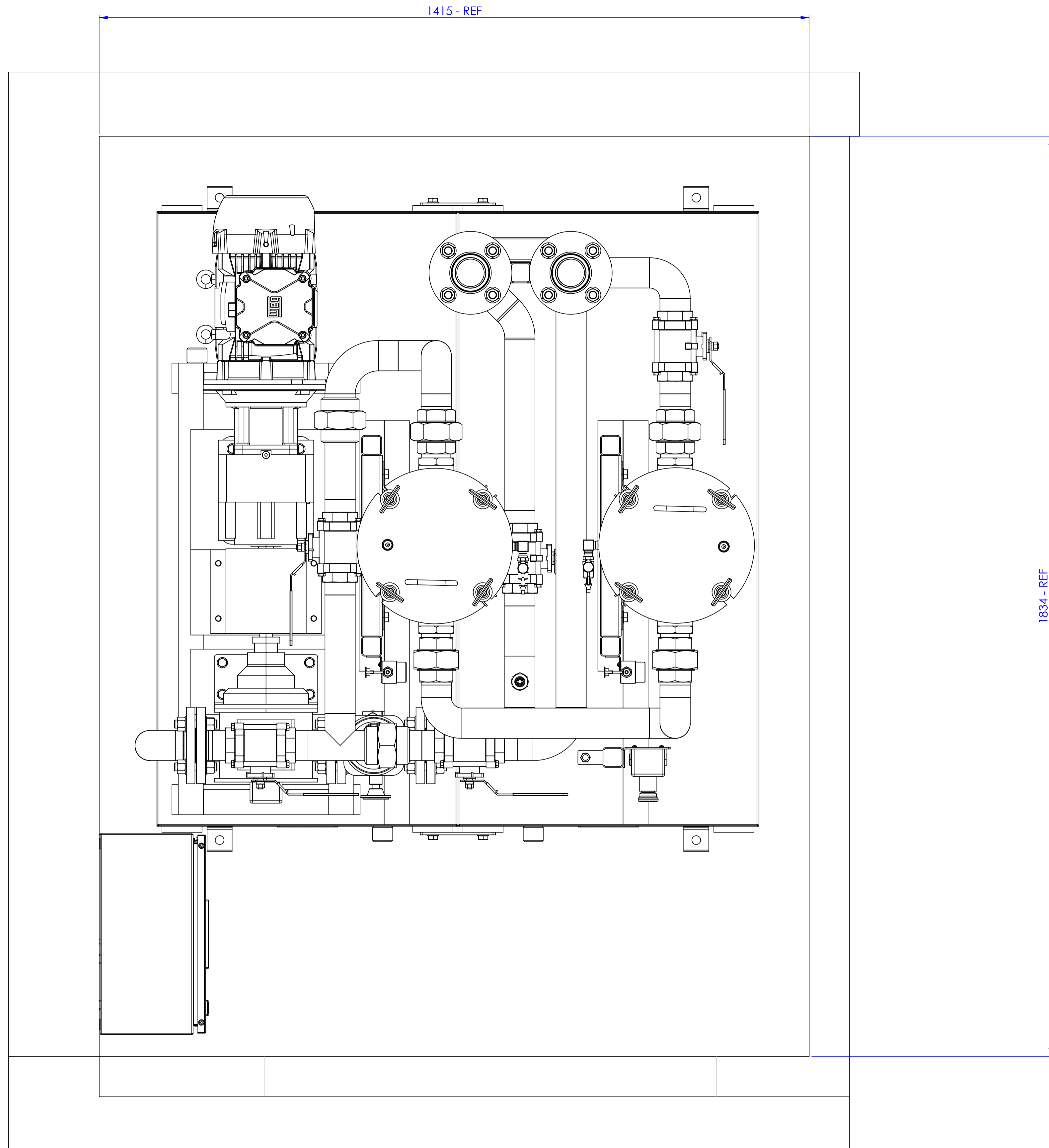
GENERAL TOLERANCES UNLESS OTHERWISE STATED ON DRAWING - TO COMPLY WITH BS EN 22768-1993 - DO NOT SCALE - IF IN DOUBT ASK	
FOR MACHINED FEATURES - Class m	FOR FABRICATED FEATURES - Class k
30mm < x < 60mm = ±0.30mm	30mm < x < 60mm = ±0.30mm
60mm < x < 120mm = ±0.35mm	60mm < x < 120mm = ±0.35mm
120mm < x < 250mm = ±0.40mm	120mm < x < 250mm = ±0.40mm
250mm < x < 500mm = ±0.45mm	250mm < x < 500mm = ±0.45mm
500mm < x < 1000mm = ±0.50mm	500mm < x < 1000mm = ±0.50mm
1000mm < x < 2000mm = ±0.60mm	1000mm < x < 2000mm = ±0.60mm
2000mm < x < 4000mm = ±0.70mm	2000mm < x < 4000mm = ±0.70mm

FOR GEOMETRIC TOLERANCES	
TOTAL RUNOUT	0.2mm
FLATNESS	0.2mm
PERPENDICULARITY	0.2mm
CONCENTRICITY	0.2mm
SYMMETRY	0.2mm
ANGULARITY	0.2mm
CHIRALITY	0.2mm
POSITION	0.2mm
ORIENTATION	0.2mm
FORM	0.2mm

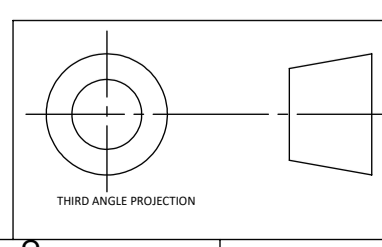
DRAWING TITLE		DRAWN		APPROVED	
ATEX RATED FILTRATION SKID - 004B		RW		MD	
DATE: 24/05/2022		DATE: 24/05/2022		DATE: 24/05/2022	
CUSTOMER: FUEL SERVICE AS		PROJECT TITLE: FUEL SERVICE NORWAY (ATEX)		SCALE: 1:10	
PROJECT REFERENCE: P-0220-390.004B		DRG NO.: P-0220-390.004B - GA		SHEET: A1	
INDUSTRIAL POWER UNITS		MASS: 460.80 Kg		REVISION: 0	
SEE PARTS LIST		INDUSTRIAL POWER UNITS		SHEET: 1 OF 2	

16 15 14 13 12 11 10 9 8 7 6 5 4 3 2 1

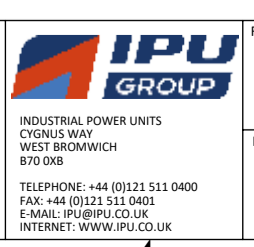
M L K J H G F E D C B A



PLAN VIEW - SYSTEM IN ROOM
SCALE 1:5



GENERAL TOLERANCES UNLESS OTHERWISE STATED ON DRAWING - TO COMPLY WITH BS EN 22768-1:2013 - DO NOT SCALE - IF IN DOUBT ASK		FOR MACHINED FEATURES - Class M		FOR FABRICATED FEATURES - Class F		FOR GEOMETRIC TOLERANCES	
50mm > x < 100mm	±0.20mm	100mm > x < 300mm	±0.30mm	300mm > x < 500mm	±0.40mm	0.01mm	0.20mm
100mm > x < 300mm	±0.30mm	300mm > x < 500mm	±0.40mm	500mm > x < 1000mm	±0.50mm	0.02mm	0.30mm
300mm > x < 1200mm	±0.50mm	1000mm > x < 2000mm	±0.60mm	2000mm > x < 3000mm	±0.70mm	0.03mm	0.40mm
1200mm > x < 4000mm	±0.70mm	3000mm > x < 5000mm	±0.80mm	5000mm > x < 10000mm	±1.00mm	0.04mm	0.50mm
4000mm > x < 20000mm	±1.00mm	10000mm > x < 20000mm	±1.20mm	20000mm > x < 50000mm	±1.50mm	0.05mm	0.60mm
20000mm > x < 200000mm	±1.50mm	50000mm > x < 100000mm	±2.00mm	100000mm > x < 500000mm	±2.50mm	0.06mm	0.70mm
500000mm > x < 800000mm	±2.00mm	1000000mm > x < 2000000mm	±2.50mm	2000000mm > x < 5000000mm	±3.00mm	0.07mm	0.80mm
						0.08mm	0.90mm



FINISH
BRUSHED STAINLESS
STEEL

MATERIAL
SEE PARTS LIST

DRAWING TITLE		DRAWN RW		APPROVED MD	
ATEX RATED FILTRATION SKID - 004B		DATE 24/05/2022		DATE 17/06/2022	
CUSTOMER FUEL SERVICE AS		PROJECT REFERENCE P-0220-390-004B		SCALE 1:30	
PROJECT REFERENCE P-0220-390-004B		DRG NO. P-0220-390.004B - GA		SHEET 2 OF 2	
MASS 460.80 Kg		REVISION 0			

16 15 14 13 12 11 10 9 8 7 6 5 4 3 2 1